

# Dynamic Effects Shapeable Smart Light Strip Installation Guide

## Easy Set Up



Decide on the shape/layout of your Shapeable Light Strip



Trim to desired length



Prep surface and install

## What You'll Need

1. Drill with 1/8" drill bit (for screw installation)
2. Screwdriver (for screw installation)
3. Hammer (for nail installation)
4. Scissors

## What's Included

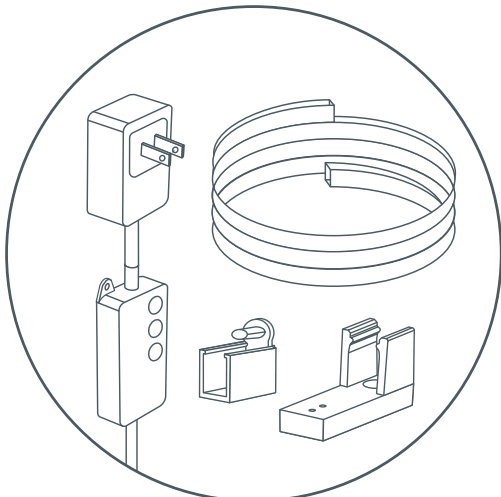
(Devices each sold separately)

### 10 ft. Shapeable Light Strip

- 10 ft. Neon Rope Light with control box
- Power supply with plug
- (20) Mounting clips
- (20) Mounting screws
- (40) Mounting nails
- End cap
- Alcohol wipe
- (2) Control box mounting screws
- Layout template

### 16 ft. Shapeable Light Strip

- 16 ft. Neon Rope Light with control box
- Power supply with plug
- (30) Mounting clips
- (30) Mounting screws
- (60) Mounting nails
- End cap
- Alcohol wipe
- (2) Control box mounting screws
- (2) Layout template



## You Got This!

And we're here to help.

For detailed setup instructions & design help, follow the step-by-step instructions in the Cync App.

[cyncsupport.gelighting.com](https://cyncsupport.gelighting.com)  
or call 1-844-302-2943

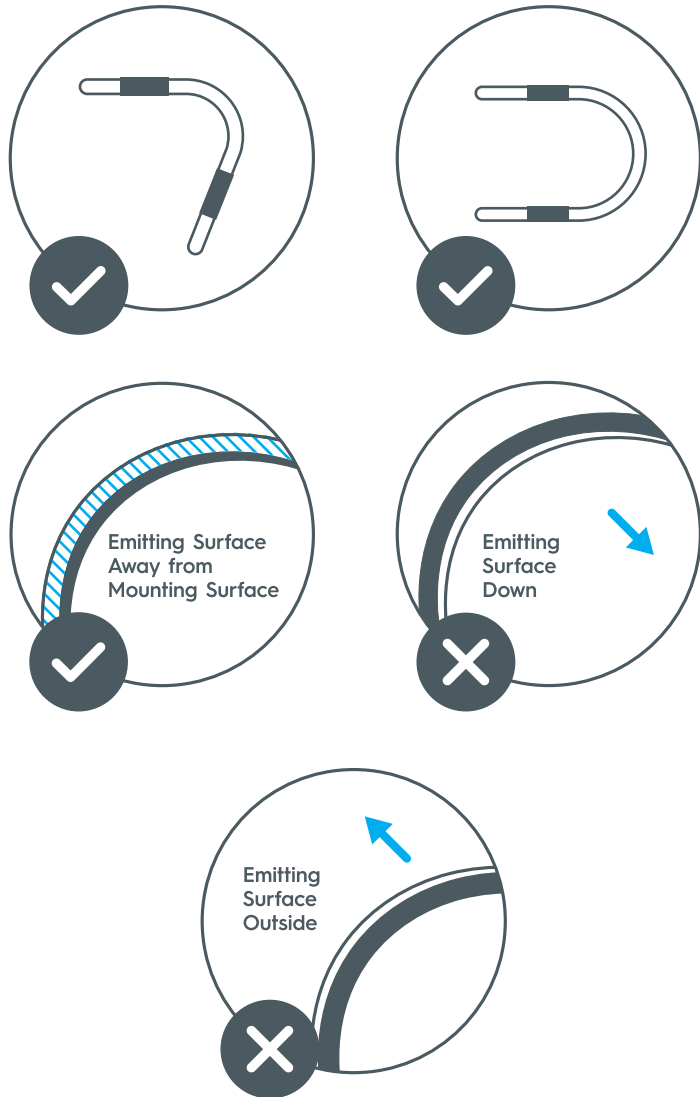
### Step 1

## Lay Out Your Design & Clip Placement

1. Plan out your design by layout out the rope on the floor.
2. Once you are happy with the design, place clips every 1-ft, adding extra clips at bends for reinforcement. (See bending guidance).

**Pro tip:** take a picture of your design on the floor to reference as you install.

### Rope Light Bending & Clip Reinforcement Options



### Step 2

## Prep the Surface & Install Your Rope Light

1. Clean and dry surface with provided alcohol wipe.

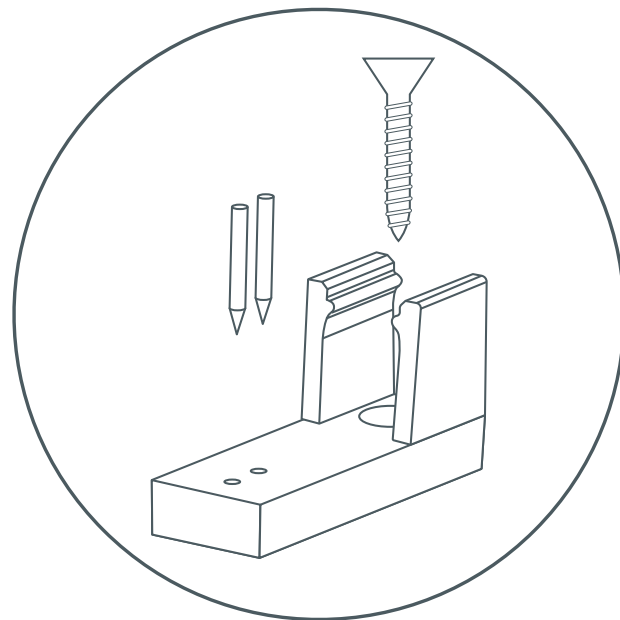
**Note:** Make sure surface is dry & free of oil contamination. For best results, install strip in temperatures above 50°F/10°C.

2. Install the mounting clips on the wall based on your design needs. For complex designs, you may want to mark the spots on the wall where the clips will go before installing. The open end of the clip should follow the direction the rope light will go.

- Peel back the tape covering and stick the clip to the wall, holding for a few seconds\* THEN
- For screw installation: Pre-drill a 1/8" hole through the clip, then drill the screw
- For nail installation: Hammer both trace-less nails into the clip

\*Clips require TAPE AND A SCREW OR NAILS to hold the rope light in place. Securing clips without screws or nails could result in your clips falling off the wall (note: screws or nails may damage walls).

3. Mount the rope light into the clips by snapping the rope light into each clip. To reposition the rope light, unsnap the rope light and reinstall the mounting clip in the desired location.



### Final Step

## Trim to Size

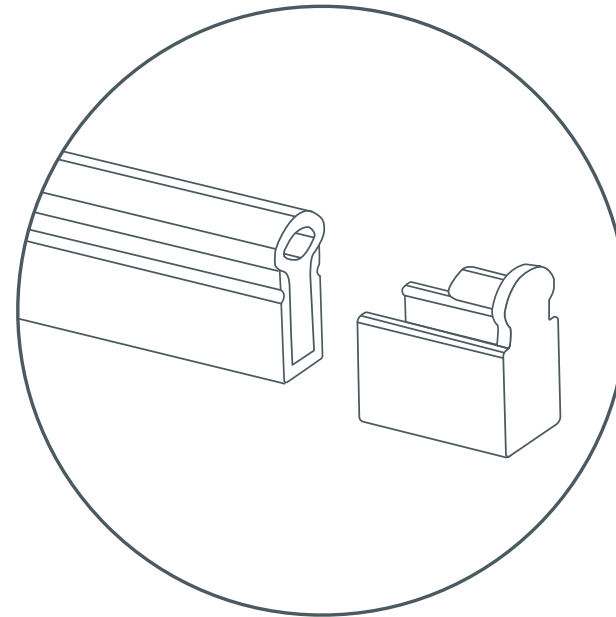
(If desired)

1. After the strip is installed, determine if excess rope needs to be trimmed.
2. With your Shapeable Light Strip **unplugged**, safely cut where the trim points are indicated in black. The rope can be trimmed every 2.8."

**NOTE:** Cutting anywhere else will permanently damage the rope.

▲ Make sure the rope light is not plugged in at the wall when cutting.

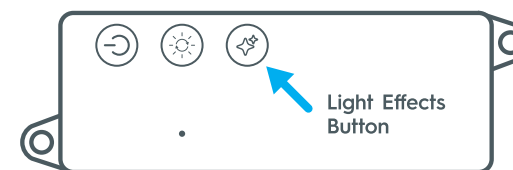
3. Insert the end cap on the end of the rope light.



## Manually Enable Light Shows

(If applicable)

1. Unplug, then plug your rope light back in to detect its new length. This is important for Light Effects.
2. Cycle through light show by pressing the Light Effects button.



## Congratulations!

You've completed the Dynamic Effects Shapeable Smart Light Strip installation.

**Next,** refer to the Quick Start Guide included in the package for app set up.

# Additional Information and Warnings

## FCC Compliance Statement:

**▲ Warning: Changes or modifications to this unit not expressly approved by the party responsible for compliance could void the user's authority to operate the equipment.**

Note: This equipment has been tested and found to comply with the limits for a Class B digital device, pursuant to Part 15 of the FCC Rules. These limits are designed to provide reasonable protection against harmful interference in a residential installation. This equipment generates, uses and can radiate radio frequency energy and, if not installed and used in accordance with the instructions, may cause harmful interference to radio communications.

However, there is no guarantee that interference will not occur in a particular installation. If this equipment does cause harmful interference to radio or television reception, which can be determined by turning the equipment off and on, the user is encouraged to try to correct the interference by one or more of the following measures:

- Reorient or relocate the receiving antenna.
- Increase the separation between the equipment and receiver.
- Connect the equipment into an outlet on a circuit different from that to which the receiver is connected.
- Consult the dealer or an experienced radio/TV technician for help.

The device must not be co-located or operating in conjunction with any other antenna or transmitter. This device complies with Part 15 of the FCC Rules. Operation is subject to the following two conditions:

(1) this device may not cause harmful interference, and (2) this device must accept any interference received, including interference that may cause undesired operation.

## FCC RF Radiation Exposure Statement:

To maintain compliance with the FCC's RF exposure guidelines, place the product at least 20cm from nearby persons.

## IC Statement:

This device complies with RSS247 of Industry Canada. Cet appareil se conforme à RSS247 de Canada d'Industrie.

This device complies with Industry Canada license-exempt RSS standard(s). Operation is subject to the following two conditions:

(1) this device may not cause interference, and (2) this device must accept any interference, including interference that may cause undesired operation of the device.

Appareils radio exempts de licence. Son fonctionnement est sujet aux deux conditions suivantes: (1) le dispositif ne doit pas produire de brouillage préjudiciable, et (2) ce dispositif doit accepter tout brouillage reçu, y compris un brouillage susceptible de provoquer un fonctionnement indésirable.

This equipment complies with IC RSS-102 radiation exposure limits set forth for an uncontrolled environment. This transmitter must be installed to provide a separation distance of at least 20cm from all persons and must not be collocated or operating in conjunction with any other antenna or transmitter.

Cet équipement est conforme aux limites d'exposition aux rayonnements IC RSS-102 définies pour un environnement non contrôlé. Cet émetteur doit être installé pour fournir une distance de séparation d'au moins 20 cm de toutes les personnes et ne doit pas être colocalisé ou fonctionner en conjonction avec une autre antenne ou émetteur.

## Like your new Dynamic Effects Shapeable Smart Light Strip?

### Share your creations!

Upload a photo or video of your space with your entertainment lights to inspire others at [gelifting.com/cync](https://gelifting.com/cync).

