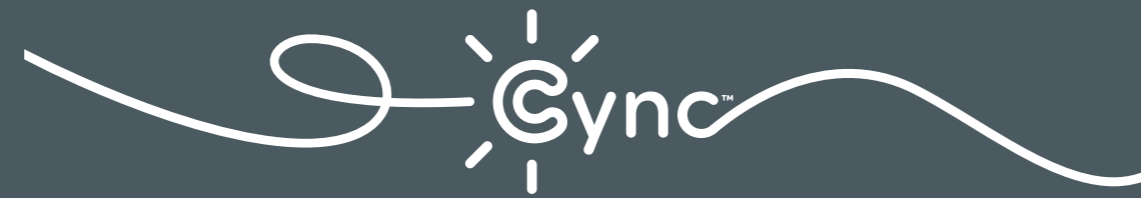


## Congratulations!

You've completed the Dynamic Effects Indoor Light Strip installation.

**Next**, refer to the Quick Start Guide included in the package for app set up.



Like your new Dynamic Effects Indoor Light Strip? Share your creations!

Upload a photo or video of your space with your entertainment lights to inspire others at [gelighting.com/cync](https://gelighting.com/cync).



GE is a trademark of General Electric Company. Used under trademark license. Amazon, Alexa, and all related logos are trademarks of Amazon.com, Inc. or its affiliates. Google and other related marks and logos are trademarks of Google LLC.

PK-00113109-2

### FCC Compliance Statement:

**Warning:** Changes or modifications to this unit not expressly approved by the party responsible for compliance could void the user's authority to operate the equipment.

**NOTE:** This equipment has been tested and found to comply with the limits for a Class B digital device, pursuant to Part 15 of the FCC Rules. These limits are designed to provide reasonable protection against harmful interference in a residential installation. This equipment generates, uses and can radiate radio frequency energy and, if not installed and used in accordance with the instructions, may cause harmful interference to radio communications.

However, there is no guarantee that interference will not occur in a particular installation. If this equipment does cause harmful interference to radio or television reception, which can be determined by turning the equipment off and on, the user is encouraged to try to correct the interference by one or more of the following measures:

Reorient or relocate the receiving antenna.

Increase the separation between the equipment and receiver.

Connect the equipment into an outlet on a circuit different from that to which the receiver is connected.

Consult the dealer or an experienced radio/TV technician for help.

The device must not be co-located or operating in conjunction with any other antenna or transmitter. This device complies with Part 15 of the FCC Rules. Operation is subject to the following two conditions:

(1) this device may not cause harmful interference, and (2) this device must accept any interference received, including interference that may cause undesired operation.

### FCC RF Radiation Exposure Statement:

To maintain compliance with the FCC's RF exposure guidelines, place the product at least 20cm from nearby persons.

### IC Statement:

This device complies with RSS247 of Industry Canada. Cet appareil se conforme à RSS247 de Canada d'Industrie.

This device complies with Industry Canada license-exempt RSS standard(s). Operation is subject to the following two conditions:

(1) this device may not cause interference, and (2) this device must accept any interference, including interference that may cause undesired operation of the device.

Appareils radio exempts de licence. Son fonctionnement est sujet aux deux conditions suivantes: (1) le dispositif ne doit pas produire de brouillage préjudiciable, et (2) ce dispositif doit accepter tout brouillage reçu, y compris un brouillage susceptible de provoquer un fonctionnement indésirable.

This equipment complies with IC RSS-102 radiation exposure limits set forth for an uncontrolled environment. This transmitter must be installed to provide a separation distance of at least 20cm from all persons and must not be collocated or operating in conjunction with any other antenna or transmitter.

Cet équipement est conforme aux limites d'exposition aux rayonnements IC RSS-102 définies pour un environnement non contrôlé. Cet émetteur doit être installé pour fournir une distance de séparation d'au moins 20 cm de toutes les personnes et ne doit pas être colocalisé ou fonctionner en conjonction avec une autre antenne ou émetteur.



## Dynamic Effects Full Color Indoor Smart Light Strip Installation Guide

### Getting Started

### What You'll Need



Determine Location



Prep Surface and Install



Connect to App



Measuring Tape



Scissors (Optional)



For set up help, visit [cyncsupport.gelighting.com](https://cyncsupport.gelighting.com) or call 1-844-302-2943

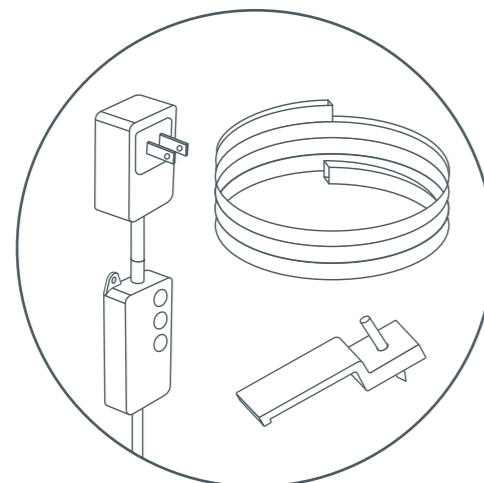
### What's Included

#### 16 ft. Full Color Light Strip

16 ft. Full Color Light Strip with control box  
Power supply with plug  
Mounting clips (6)  
Cleaning wipes

#### 32 ft. Full Color Light Strip

32 ft. Full Color Light Strip with control box  
Power supply with plug  
Mounting clips (12)  
Cleaning wipes



### Step 1

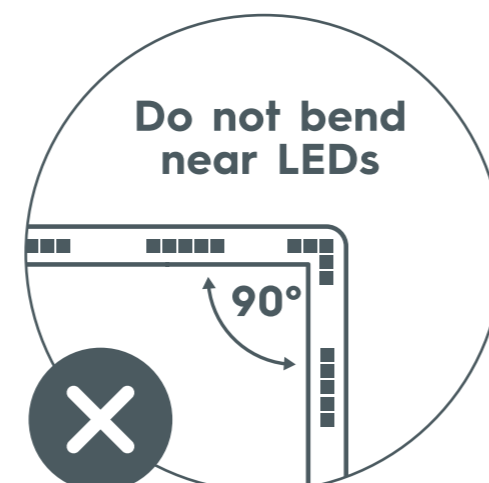
### Measure & Trim to Size

1. Measure where you're planning to install your lights.
2. With your Light Strip unplugged, safely cut where the trim points are indicated.

**⚠ Make sure the strip is not plugged in at the wall when cutting.**

**NOTE:** Cutting anywhere else will permanently damage the strip.

### Light Strip Bending Options



### Step 2

### Prep the Surface & Install Your Strip

#### With Adhesive

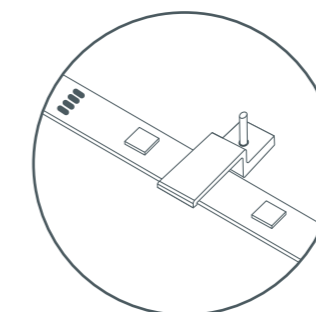
1. Clean and dry surface with provided alcohol wipe.  
**NOTE:** Make sure surface is dry & free of oil contamination. For best results, install strip in temperatures above 50°F/10°C.
2. Working in 6 inch sections, peel off the adhesive backing.
3. Stick to surface, 6 inches at a time, pressing and holding each section for 10 seconds.

**NOTE:** Adhesive may damage walls or painted surfaces if removed. Adhesive is single use, so don't peel lights and try to re-stick to wall. You will need to use double-sided tape if re-application is needed.

**Do not mount to wallpaper, brick, textured or porous surfaces using adhesive. Use mounting clips instead.**

#### With Mounting Clips

1. Lay out mounting clips where desired.
2. Install mounting clips by tapping the traceless nails into a suitable wall or ceiling surface with a small hammer.
3. Push the Light Strip into each clip. Do not reposition the strip once installed.



### Manually Enable Light Shows

1. Unplug, then plug your light strip back in to detect its new length. This is important to enable dynamic light shows.
2. Cycle through light show by pressing the Light Effects button.

